

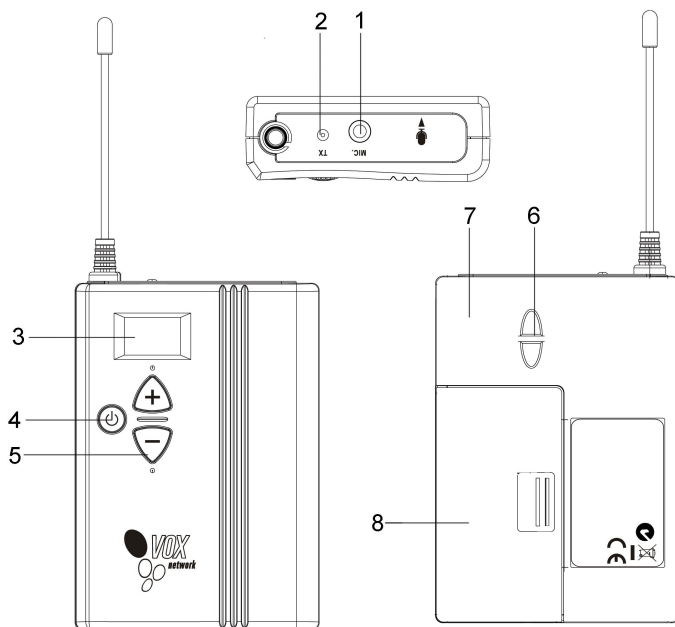


Transmitter



Receiver

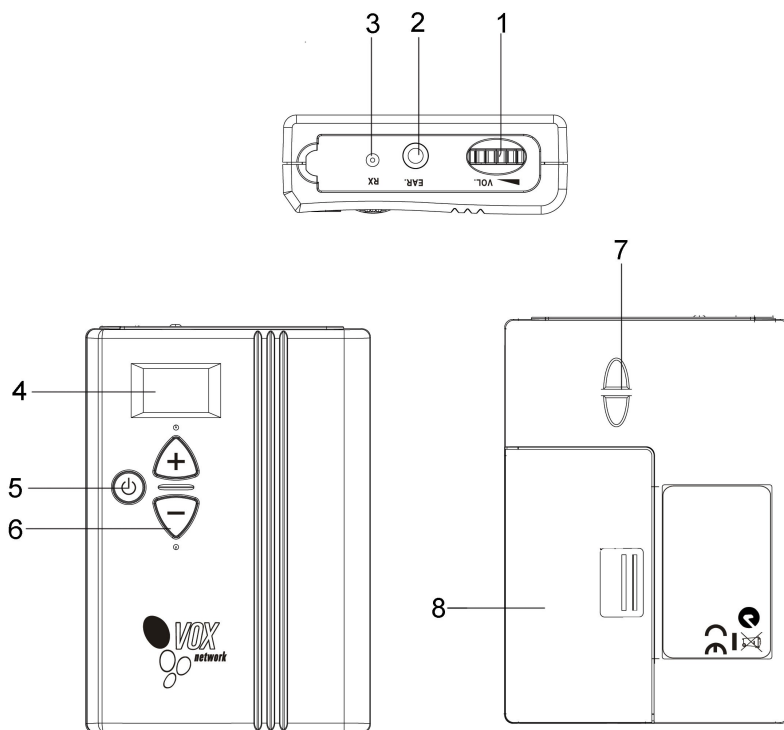
ILLUSTRATION



TRANSMITTER

- | | |
|--------------------|---|
| 1. Mic jack | For input of \varnothing 3.5mm microphone |
| 2. Power indicator | Green light stands for ON |
| 3. LCD display | To show selected channel and battery status |
| 4. Switch On/Off | Press button for 0.5 second to turn ON; press it for 2 seconds to turn OFF |
| 5. Channel buttons | Press "+" to a forward channel
Press "-" to a backward channel |
| 6. Loop | For lanyard |
| 7. Built-in mic | To receive audio resource directly
Use as a backup when no microphone is available |
| 8. Battery slot | Contains 2x AA alkaline batteries |

Radioguide® VOX N40 Tourguide system



RECEIVER

- | | |
|-------------------------|---|
| 1. Volume control | For a preferred volume level |
| 2. Earphone jack | For input of a \varnothing 3.5mm earphone |
| 3. Power & RF indicator | Red light stands for stand by;
green light stands for receiving signal |
| 4. LCD display | To show selected channel and battery status |
| 5. Switch On/Off | Press button for 0.5 second to turn ON;
press it for 2 seconds to turn OFF |
| 6. Channel buttons | Press "+" to a forward channel
Press "-" to a backward channel |
| 7. Loop | For lanyard |
| 8. Battery slot | Contains 2x AA alkaline batteries |

FUNCTION

TRANSMITTER






- 40 selectable channels.
- Input through external microphone or built-in microphone.
- LCD display.
 - (1) To show selected channel.
 - (2) To show battery status.
- Power indicator.
- Turn OFF automatically after stand by up to 30 minutes.
- Built-in microphone: a backup when no external microphone is available.
- Power supply: 2x AA alkaline battery.

RECEIVER

- Up to 40 channels available to select.
- ϕ3.5mm stereo earphone jack.
- LCD display.
 - (1) To show selected channel.
 - (2) To show battery status.
- Power / RF indicator.
- Turn OFF automatically after stand by up to 30 minutes.
- Power supply: 2x AA alkaline battery.

HOW TO USE


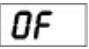
TRANSMITTER

- Insert batteries:
 - Open battery door.
 - Insert 2x Alkaline batteries (AA 1.5V)
 - Close battery door.
- To switch ON:
 - Press On/Off button for 0.5 second to switch ON.
 - Power indicator LED becomes green.
 - LCD display shows selected channel and battery status as  .
 - Switched ON successfully.
- To switch OFF:
 - Press On/Off button for 2 seconds then LCD will show OF (OFF), like  .
 - After "OF" disappears from LCD, the device is OFF.
- Channel set up:
 - By pressing "+" button to move channel forward; pressing "-" button to move channel backward
 - Press "+" and keep it still will speed up channel moving forward, and vice versa
- Receiving audio resource:
 - Audio source will go through built-in microphone if no external microphone is used.
 - Built-in microphone will be out of function when external microphone is used.
- LCD display:
 - When LCD shows  , it stands for channel 1 is used and the battery is full.
 - When the sign of battery is "flashing" as  shows, it means the batteries are out of power. Please replace with new batteries or recharge.
 - The sign of battery energy will keep flashing and LCD will show "OF" (OFF) then it turns OFF automatically if not replaced with new batteries, like  .




Radioguide® VOX N40 Tourguide system

- Stand-by 30 minutes: for saving energy, the transmitter will stand-by for 30 minutes then turn OFF automatically if any audio signal input to this unit.
- Recharging batteries:
 - Make sure NiMH rechargeable batteries are used.
 - Please switch OFF transmitter.
 - Put it onto charging stand.
 - For more details of charging stand, please refer to it's respective user manual.
- When 2 or more transmitters will be used simultaneously make sure each transmitter is separated at least 5 meters.

RECEIVER

- Insert batteries:
 - Open battery door.
 - Insert 2x Alkaline batteries (AA 1.5V)
 - Close battery door.
- To switch ON:
 - Press On/Off button for 0.5 second to switch ON.
 - Power indicator shows red light if no signal is received; it shows green light when receiving signals.
 - LCD display shows selected channel and battery status as .
 - Switched ON successfully.
- To switch OFF:
 - Press On/Off button for 2 seconds then LCD will show OF (OFF), like .
 - After "OF" disappears from LCD, the device is OFF.

Channel set up:

- By pressing "+" button to move channel forward; pressing "-" button to move channel backward.
- Press "+" and keep it still will speed up channel moving forward, and vice versa.
- Audio output:
 - Stereo earphone jack available for individual preference.
 - Use volume control to adjust volume level.
- LCD display:
 - When LCD shows , it stands for channel 1 is used and the battery is full.
 - When the sign of battery energy is "flashing" as , it means the batteries are out of power. Please replace with new batteries or recharge.
 - The sign of battery energy will keep flashing and LCD window will show "OF" (OFF) then it turns off automatically if not replaced with new batteries, like .
- Stand-by 30 minutes:for saving energy, the receiver will stand-by for 30 minutes then turn off automatically if any signal is received.

TROUBLE SHOOTING

1) Can not switch on:

1. Check if batteries were inserted.
2. Check the polarity of the batteries.
3. Make sure batteries are in good condition.
4. Check if batteries were out of energy.
5. Return units to the place of purchase when above methods could not sort out problems

2) Receiver does not output any voice:

1. Check if both transmitter and receiver are on same channel.
2. Check if volume control on receiver is on a proper level.
3. Check if microphone on transmitter or earphone on receiver were in good condition.
4. Check if both transmitter and receiver were out of transmission and reception range.

Radioguide® VOX N40 Tourguide system

* Please take out batteries if the device won't be used for a long period!

** Keep batteries away from high heat, fire and direct rays from the sun!

*** When using the earphones be aware that exposure to high sound pressure levels can cause permanent damage to hearing!

SPECIFICATIONS

OVERALL SYSTEM	
Oscillation type	PLL synthesized
Carrier frequency range	863~865 MHz
Preprogrammed channels	40 channel selectable
Frequency response	400~4 kHz
Dynamic range	> 70 dB
Operating temperature	-10~50 °C
T.H.D.	< 3%
Battery	1.5V AA Alkaline x 2 pcs
Transmission/Reception range	2~50 meters (open field)

TRANSMITTER	
Built-in mic. capsule	Condenser type
Antenna	Flexible antenna
RF output	10 mW
Spurious emission	< 250 nW
Audio input	Mic. input & built-in mic.
Max modulation	±8 kHz
Dimension	D 23 x W 65 x H 94 (mm)
Weight	123 g (batteries included)

RECEIVER	
Sensitivity	3µV@ Sinad 20 dB
Antenna	Built-in antenna
Channel spacing	60 dB @ 100 kHz
Double intermediate	21.4 MHz / 455 kHz
Audio level	1100 mV@2.4V
Earphone jack	3.5mm stereo output jack
Dimension	D 23 x W 65 x H 94 (mm)
Weight	126 g (batteries included)



Ai sensi dell'art. 13 del D.Lgs 25/07/2005 n° 151 "Attuazione delle Direttive 2002/95/CE, 2002/96/CE e 2003/108/CE, relative alla riduzione dell'uso di sostanze pericolose nelle apparecchiature elettriche ed elettroniche, nonché allo smaltimento dei rifiuti"

Il simbolo del cassonetto barrato riportato sull'apparecchiatura indica che il prodotto, alla fine della propria vita utile, deve essere raccolto separatamente dagli altri rifiuti;

L'utente finale dovrà conferire l'apparecchiatura giunta a fine vita alla raccolta differenziata dei rifiuti elettronici ed elettrotecnici a cui il produttore ha aderito; dovrà pertanto contattare il produttore e seguire il sistema che questo ha adottato per consentire la raccolta separata dell'apparecchiatura giunta a fine vita.

L'adeguata raccolta differenziata per l'avvio successivo dell'apparecchiatura dismessa al riciclaggio, al trattamento o allo smaltimento ambientalmente compatibile contribuisce ad evitare possibili effetti negativi sull'ambiente e sulla salute e favorisce il riciclo dei materiali di cui è composta l'apparecchiatura.

Lo smaltimento abusivo del prodotto da parte dell'utente comporta l'applicazione delle sanzioni amministrative di cui al D.Lgs. n°152 del 3 aprile 2006.



VOX TOURS SRL
Via Pievaiola, 21
06127 Perugia
Italy

